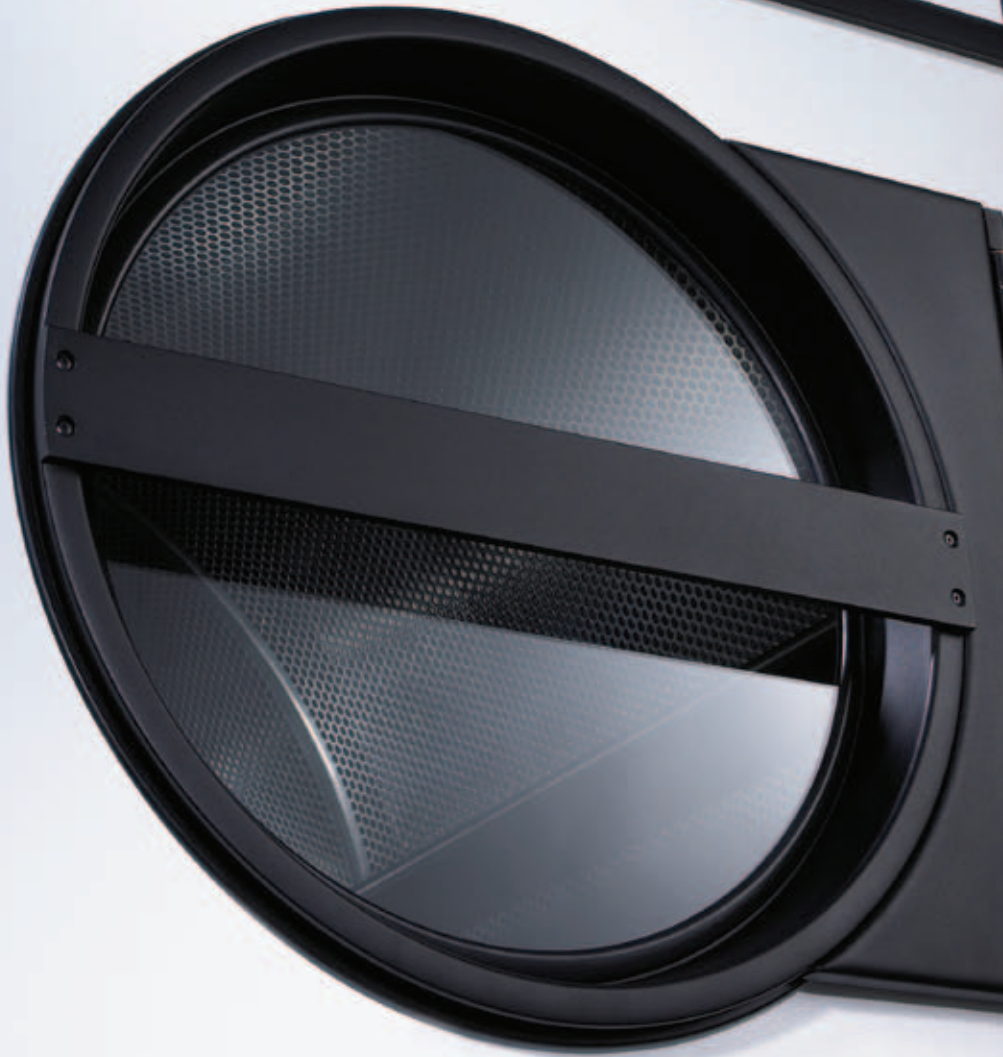


CONTINENTAL
GIRBAU INC.
CG75-85



Pro-Series II Dryers are engineered for the ultimate in efficiency, programmability and ease of use. Complete with properly balanced airflow, heat input and cylinder volume, the Pro-Series II line delivers high-quality results and features that can dramatically increase laundry production.

- CG20-30
- CG30-40
- CG55-65
- CG50-60
- CG75-85
- CG115-25
- CG165-75

PRO-SERIES II DRYING TUMBLERS

PRODUCTIVITY AND EFFICIENCY REDEFINED.

Pro-Series II Drying Tumblers are designed with quality components, easy-to-use programmable controls and a multitude of features that dramatically increase laundry production and energy-efficiency. Properly balanced airflow, heat input and basket volume allows maximum production when matched with Continental Washer-Extractors.

ENERGY-EFFICIENCY

Several key features contribute to heightened energy-efficiency on Pro-Series II Dryers, including instant electronic spark ignition; a modular electrical system for added reliability and easy servicing; and a multiple burner heat system to efficiently and quickly reach desired temperatures. Pro-Series II delivers quick drying thanks to carefully balanced heat energy input and airflow. Perfectly balanced airflow prevents extra wear on fabrics and cuts drying time. The heat system is enclosed thereby capturing intake air and preheating it before entering the tumbler—reducing energy costs without increasing dry time.

ERGONOMIC & EASY TO MAINTAIN

Ergonomic and easy to maintain, Pro-Series II Dryers feature self-cleaning lint screens that support maximum airflow. Further contributing to ease of maintenance are conveniently accessible components and an automatic backdraft damper to prevent outside air from entering the laundry room. Because ergonomics matter, the tumblers feature oversized steel doors with reinforced metal door bars and hinges—simplifying loading and unloading!

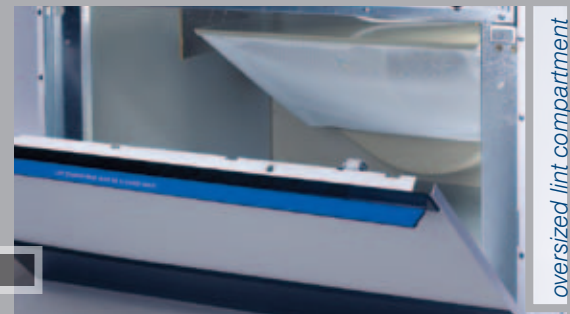
CONTROL FLEXIBILITY

Pro-Series II Dryers offer two programmable controls—the Dual Digital Control or the Microprocessor Control. The Dual Digital Control is simple to use, efficient and reliable. It allows the operator to choose one of four temperature selections, heat and cool down cycle time and a single push-to-start operation.

Continental's new Microprocessor Control is designed for greater flexibility and efficiency. Equipped with a multitude of features, the control offers up to 20 programmable cycles; a reminder to clean the lint screen; an anti-wrinkle and extended tumble feature that initiates unheated tumble action after the end-of-cycle signal to reduce the occurrence of wrinkles in unattended loads; an external end-of-cycle output to aid attendants in noticing when a load is complete; and auditing information on the display. With multiple programmable cycle types—time-dry, auto-dry or Continental's moisture sensing drying (optional on CG20-30 through CG75-85, standard on CG115-25 and CG165-75)—Pro-Series Dryers offer the ultimate in drying technology and load management control.

MOISTURE SENSING TECHNOLOGY

Continental's Linen Life Extension (LLE) moisture sensing system is very reliable and extremely accurate. Featuring 20 programmable cycles with up to 12 programmable dryness levels and additional programmable heat time, LLE can target any dryness level from zero to 40-percent. To ensure accurate moisture readings, the LLE system provides an extremely large load-to-surface contact area. Unlike some moisture sensing systems available, Continental's LLE system uses the entire surface area of the lifters within the dryer cylinder as sensors. This increase in load contact surface area provides extremely accurate moisture readings. When the load has reached its preset target level of dryness, the control shuts the dryer off—saving energy, time and labor. The result? Dry goods experience less damage with up to 31 percent less fiber loss. LLE effectively reduces over-drying, resulting fabric damage, and cuts energy and labor costs.





COMPACT DESIGN OF CG55-65

The Pro-Series II compact CG55-65 tumbler fits through a standard 36-inch door, takes up less space and offers more drying capacity than most 50-pound capacity drying tumblers! At 34.5 inches in width, the CG55-65 tumbler is super-slim so it fits into smaller spaces. Yet, thanks to innovative engineering, it also offers big capacity and productivity!

AXIAL AIRFLOW FOR SMALL-LOAD EFFICIENCY

CG20-30, CG30-40, CG55-65 Models

Pro-Series II small-capacity dryers feature axial airflow, a system that directs heated air through the load from back to front. Perforated cylinders and drum lifters maximize airflow and tumbling action while also preventing tangling. The result is fast and efficient drying—exactly what on-premise laundries want!

RADIAL AIRFLOW FOR LARGER LOADS

CG50-60, CG75-85, CG115-25, CG165-75 Models

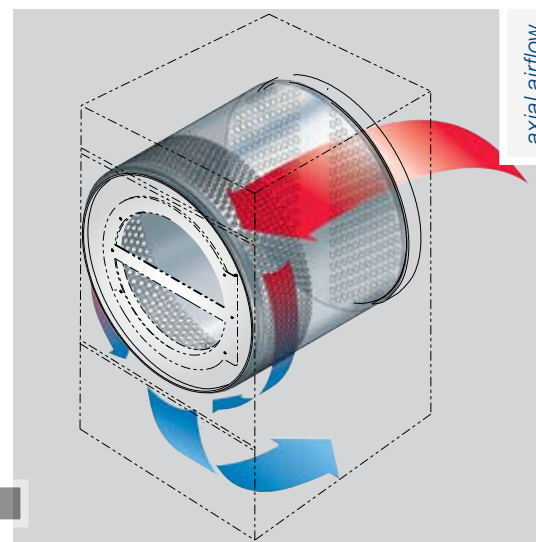
Pro-Series II large-capacity drying tumblers are designed with radial airflow—a system that captures heated intake air and distributes it evenly throughout the cylinder. Radial airflow ensures maximum load separation for big loads and bulky items and utilizes the tumbler's complete capacity for quick, even drying. As heated air is released from the top of the basket, linens, which are rotated from the bottom to the top, fall and separate throughout the entire cylinder. Simultaneously, heated air is pushed through and around the load—eliminating hot spots.

DURABILITY UNMATCHED

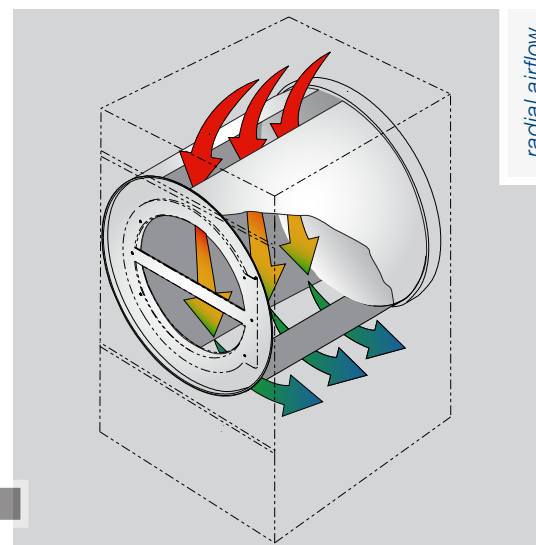
Durability characterizes Pro-Series II. The tumblers feature rugged cylinders; dual motors with overload protection; steel front, side and top panels coated inside and out with electrostatically applied, baked-on paint for superior bonding and corrosion resistance; an all-belt drive system with cast iron pulleys and permanently sealed bearings for quiet, low-maintenance operation; and durable kick-plates and cart bumpers to protect tumblers from nicks and scrapes. An exclusive annealed stainless steel backplate (standard on all models except CG115-25 and CG165-75) contributes to longer machine life and also reduces friction against tumbling laundry—extending linen life. No wonder Pro-Series II Tumblers are backed by an industry-leading factory warranty!

ISS FIRE SENSING & EXTINGUISHING

Continental understands the importance of safety. That's why we've equipped Pro-Series II dryers with an optional Integrated Sprinkler System (ISS), a sensing and extinguishing device that squelches dryer fires before they get out of control. ISS, which is available on gas and steam units, is always active—even after a load is complete—offering laundries added protection when a laundry is unattended. If ISS sensors detect a fire inside the dryer drum, the drum rotates and distributes water vapor—saturating laundry and extinguishing the fire. ISS continues to monitor the condition of the dryer and restarts if fire is again detected.



axial airflow



radial airflow



fire extinguishing system

	CG20-30	CG30-40	CG55-65	CG50-60	CG75-85	CG115-25	CG165-75	
DIMENSIONS & WEIGHTS	Capacity lbs	up to 30	up to 40	up to 65	up to 60	up to 85	up to 175	
	Airflow Type	Axial	Axial	Axial	Radial	Radial	Radial	
	Cylinder Diameter inch (mm)	26.5 (673)	30 (762)	33 (838)	37 (940)	37 (940)	44 (1118)	50.75 (1289)
	Cylinder Depth inch (mm)	24 (610)	30 (762)	35 (889)	30 (762)	36 (914)	41 (1041)	42.5 (1080)
	Cylinder Volume cu ft (m ³)	7.7 (0.22)	12.3 (0.35)	17.3 (0.49)	18.6 (0.53)	22.4 (0.63)	36.1 (1.02)	49.7 (1.41)
	Net Weight lbs (kg)							
	Gas/Electric	300 (137)	360 (163)	435 (197)	545 (247)	615 (279)	1275 (580)	1575 (716)
	Steam	300 (137)	360 (163)	—	545 (247)	615 (279)	1375 (625)	1675 (761)
	Crated Weight lbs (kg)							
	Gas/Electric	332 (151)	394 (179)	476 (216)	602 (273)	677 (307)	1338 (607)	1667 (756)
	Steam	332 (151)	394 (179)	—	602 (273)	677 (307)	1447 (656)	1776 (806)
	Machine Width inch (mm)	28 (711)	31.5 (800)	34.5 (876)	38.62 (981)	38.62 (981)	46.38 (1178)	53.12 (1349)
	Machine Depth inch (mm)	40.87 (1038)	46.87 (1191)	53.62 (1362)	48.25 (1226)	54.25 (1378)	67.92 (1725)	68.85 (1749)
	Machine Height inch (mm)							
	Gas/Electric	63.87 (1622)	63.87 (1622)	66.72 (1695)	76.62 (1946)	76.62 (1946)	85.7 (2177)	94 (2388)
	Steam	63.87 (1622)	63.87 (1622)	—	80 (2032)	80 (2032)	83.5 (2121)	94 (2388)
	Door Opening inch (mm)	22.69 (576)	22.69 (576)	26.89 (683)	26.89 (683)	26.89 (683)	26.89 (683)	26.89 (683)
	Floor to Door inch (mm)	27.5 (699)	27.5 (699)	26.87 (682)	30.75 (781)	30.75 (781)	31.38 (797)	33.86 (860)
	Shipping Dimensions inch (mm) (WxDxH)	30 x 43 x 69 (762 x 1092 x 1753)	33 x 49 x 69 (838 x 1245 x 1753)	35.5 x 59 x 72 (902 x 1499 x 1829)	41.5 x 52.1 x 81 (1054 x 1323 x 2057)	41.5 x 56.4 x 81 (1054 x 1433 x 2057)	48.5 x 72 x 90 (1232 x 1829 x 2286)	58 x 74.5 x 99 (1473 x 1892 x 2515)
	Motor Power HP (kW)	2 @ 1/4 (0.19)	2 @ 1/4 (0.19)	2 @ 1/2 (0.37)	1/2 (0.37)	3/4 (0.56)	—	—
	Reversing Motor Power HP (kW)							
	Cylinder	1/4 (0.19)	1/4 (0.19)	1/4 (0.19)	1/3 (0.25)	1/3 (0.25)	3/4 (0.56)	3/4 (0.56)
Fan	1/4 (0.19)	1/4 (0.19)	1/4 (0.19)	1/3 (0.25)	1/3 (0.25)	1 (0.75)	3 (2.24)	
Exhaust Diameter inch (mm)	6 (152)	8 (203)	8 (203)	8 (203)	8 (203)	10 (254)	12 (300)	
Exhaust Air Flow cfm (l/s)								
Gas/Steam	500 (236)	650 (307)	700 (330)	750 (354)	920 (434)	1600 (755)	2450 (1156)	
Electric	500 (236)	650 (307)	700 (330)	750 (354)	750 (354)	1600 (755)	2450 (1156)	
Electric Heating kW	12	24	27	30	30	60	—	
Gas Connection inch	1/2 N.P.T.	1/2 N.P.T.	1/2 N.P.T.	1/2 N.P.T.	1/2 N.P.T.	3/4 N.P.T.	1 N.P.T.	
Gas Heating BTU/h (Kcal/h)	64,000 (16,128)	90,000 (22,680)	112,000 (28,224)	130,000 (32,760)	165,000 (41,580)	270,000 (68,040)	395,000 (99,538)	
Steam Connection inch	3/4 N.P.T.	3/4 N.P.T.	—	3/4 N.P.T.	3/4 N.P.T.	3/4 N.P.T./3/4 N.P.T.	3/4 N.P.T./1 N.P.T.	
Steam Heating BTU/h (kW) at 100 PSI (6.9 bar)	134,700 (39.5)	166,000 (48.6)	—	177,500 (52)	210,300 (61.6)	405,000 (118.7)	648,000 (189.9)	
BHP Consumption BHP at 100 PSI (6.9 bar)	3.9	4.8	—	5.1	6.1	11.7	18.8	
Gas/Steam Amp (Rev. Amp)								
120/60/1	12	12	9.2	9.3	13.8	—	—	
208-240/60/1	6.7	6.7	6.5	—	—	—	—	
200-208/240/60/1	—	—	—	5.1	7.6/7.6	—	—	
200-208/240/60/3	3.2	3.2	4.0/3.9	2.8 (4.0)	3.8/3.8 (4.3/4.3)	(7.7/7.3)	(13.5/13.5)	
440/60/3	—	—	—	1.9 (2.1) steam only	1.9 (2.1) steam only	(3.8) steam only	(6.4) steam only	
460-480/60/3	1.6	1.6	—	1.4 (1.9)	1.9 (2.1)	(3.9) gas only	(6.7)	
Electric Amp (Rev. Amp)								
200/60/1	64	122	122	—	—	—	—	
208/60/1	64	122	129	—	—	—	—	
240/60/1	57	107	115	—	—	—	—	
200-208/60/3	37	71	79	89 (88)	89 (88)	—	—	
240/60/3	33	62	65	79 (78)	79 (78)	(152)	—	
440/60/3	—	—	—	41 (41)	41 (41)	—	—	
460-480/60/3	16	31	—	—	—	—	—	
480/60/3	—	—	—	38 (38)	38 (38)	(76.1)	—	

CONNECTIONS

AVAILABLE VOLTAGES

* Product specifications are subject to change without notice. For the most current product specifications including CAD details, technical specifications and warranty, please visit www.continentalgirbau.com.



CONTINENTALCARE™
BUY WITH COMPLETE CONFIDENCE



DISTRIBUTED BY:



www.continentalgirbau.com • 800-256-1073
2500 State Road 44 • Oshkosh, WI 54904 • 920-231-8222 • Fax 920-231-4666